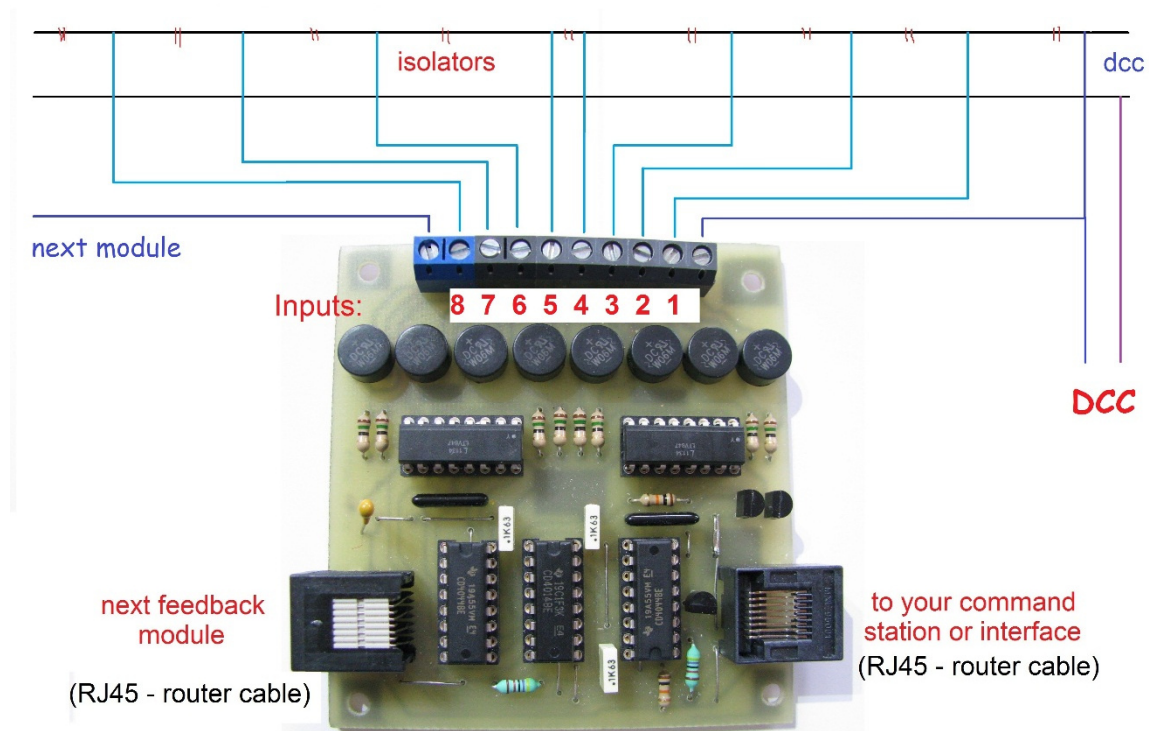


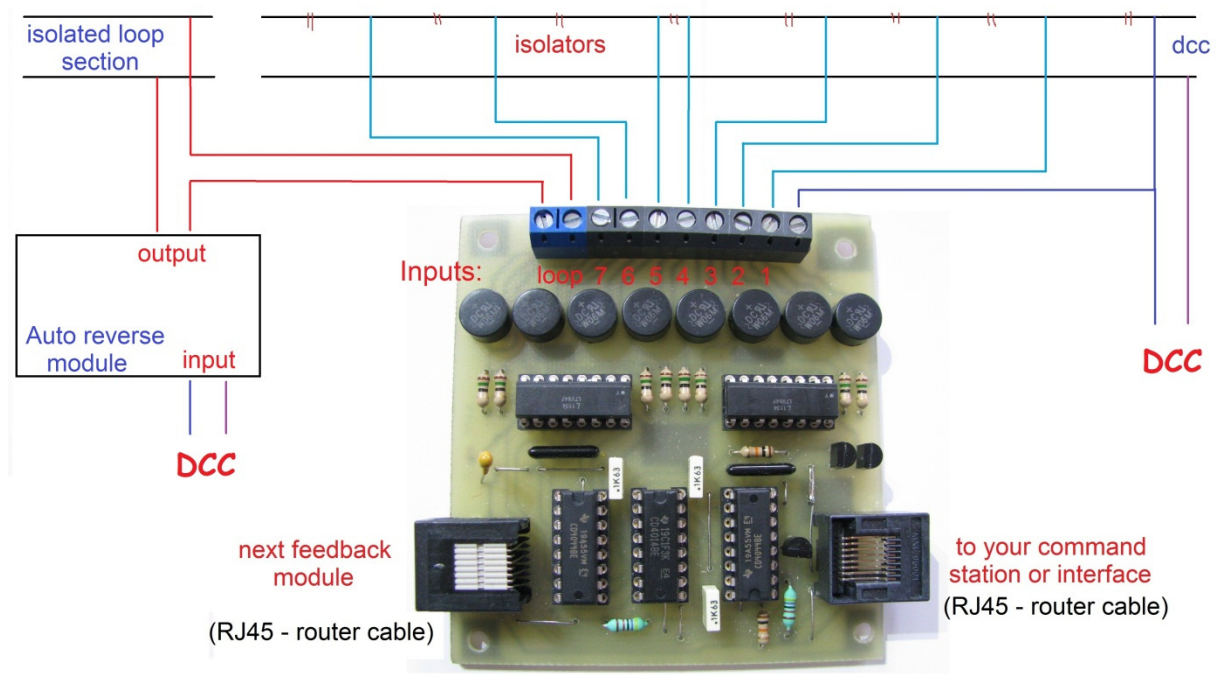
FEEDBACK MODULE S88N



Parameters:

- 8 independent isolated section
- maximum current per channel is 1,5 amperes
- 16 Feedback modules can be used with Interface module

FEEDBACK MODULE - LOOP VERSION



Parameters:

- 7 independent isolated section
- 1 section for loop (loop must be isolated from other track on both ends)
- maximum current per channel is 1,5 amper
- 16 Feedback modules can be used with Interface module