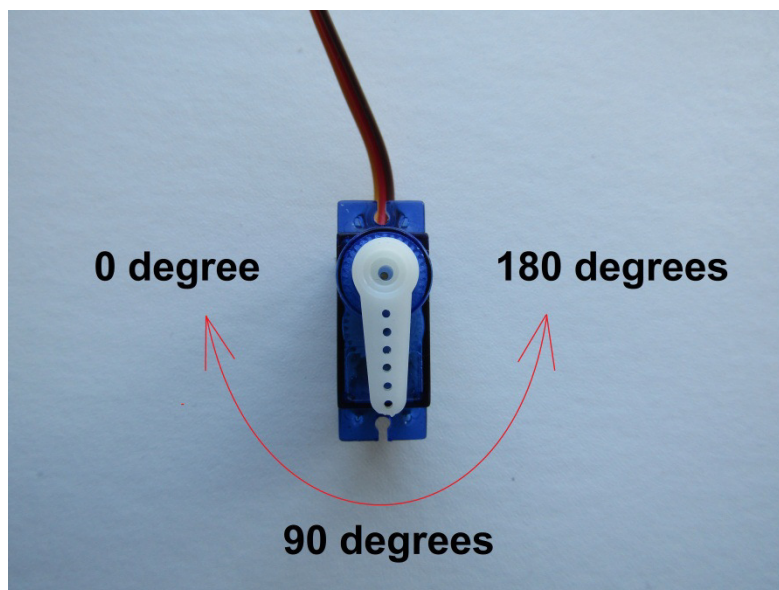


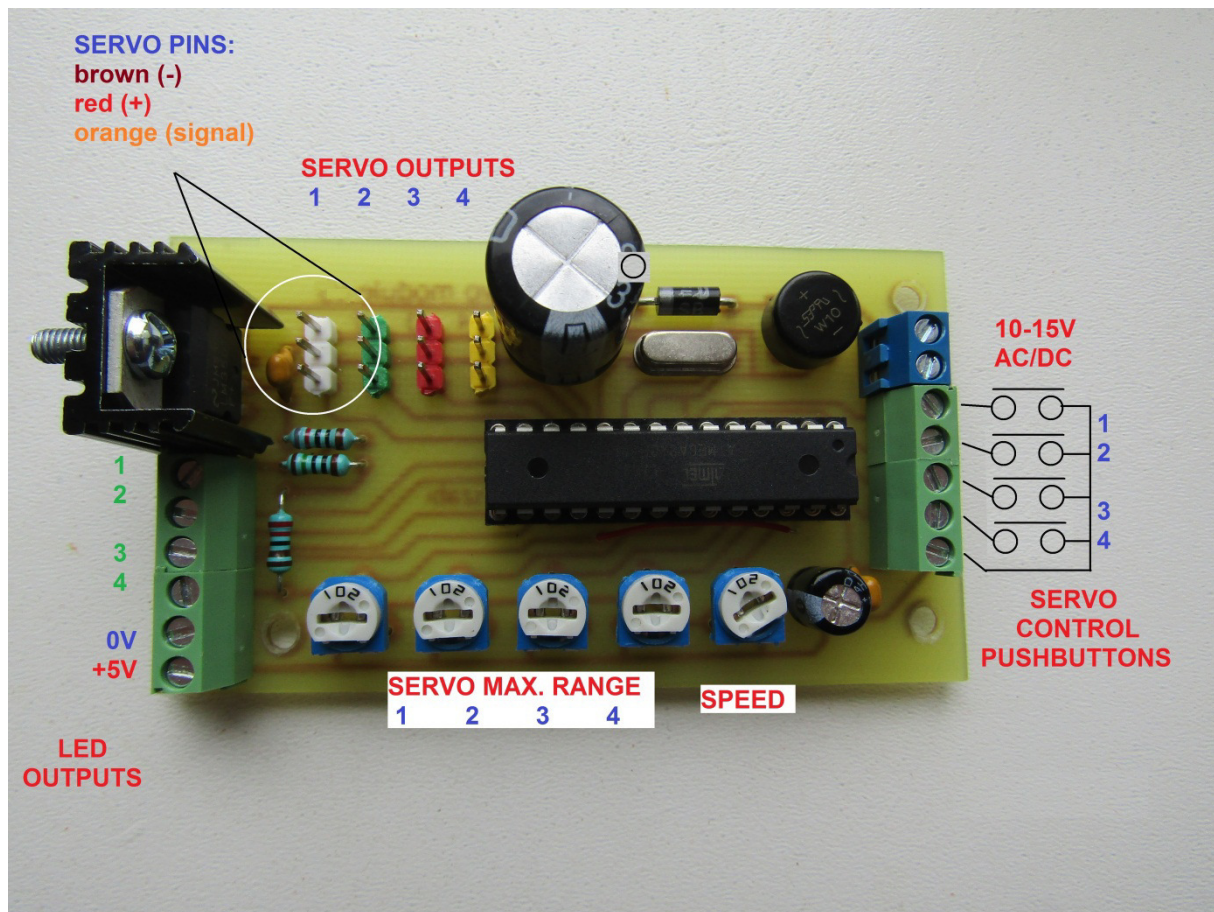
SERVO CONTROLLER

- servo controller with LED indication
- module commands 4 servos with 4 pushbuttons between 0 - 180 degrees
- fixed starting position (0 degree)
- adjustable maximum angle of servo with four on-board potentiometer
- adjustable speed of servos (one potentiometer for all servos)
- store position of servos into the memory (remembers the last position after power switched off)
- output for 8x LEDs, or 4x Bipolar LEDs
- the LEDs show the position of the servo; you will always know in which position the servo arm is
- example: if the LED is green the servo controlled turnout is in the straight position, if the LED is red it is in the divergent position
- suitable for manual control of turnouts, semaphores, moving any kind of arms, doors, barriers
- push button to move servo into one direction (clockwise), push once again to move servo to the opposite direction (counterclockwise)
- recommended power supply: 8-12V AC/10-16 DC

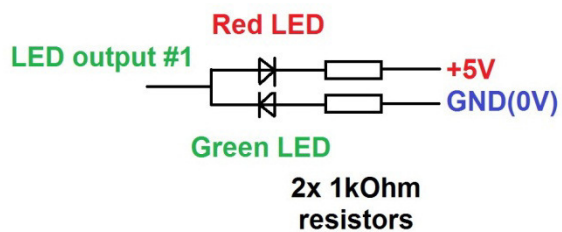
SETTING:

- connect LED diodes to left green terminal (picture 2)
- the LED polarity is not important. Be careful that one of them must be contrary to the other one! If you would like to change the colors (red=straight, green=divergent), replace the +5V and 0V(ground) on LED's legs
- connect servo to the first output (left pinhead). Be careful of the servo polarity orientation!
- move servo to the start position (0 degree - clockwise - picture 1) with first pushbutton
- move potentiometer with a small flat screwdriver
- press first pushbutton to test range of servo
- continue to set other outputs





2x LED version



Bipolar LED version

